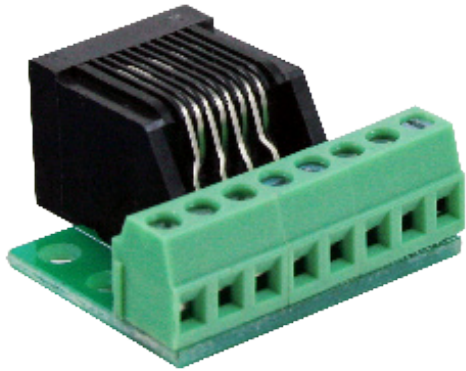




Product Guide - EZBreakout Connector

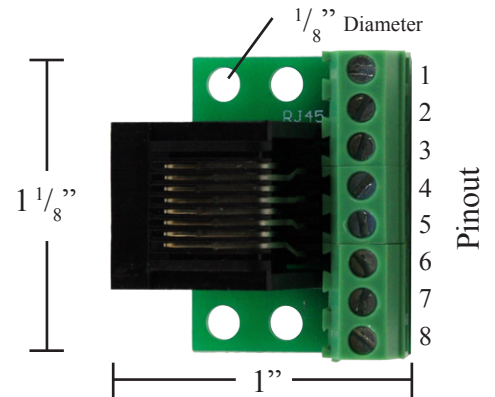
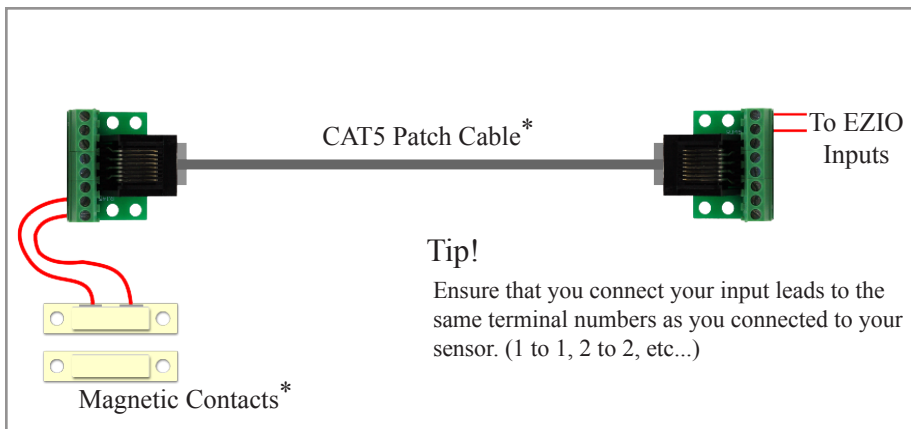
Breakout CAT5 or CAT3 patch cables Model #8045A



Product Brief

The EZBreakout Connector allows you to simply connect a CAT5 or CAT3 patch cable with its RJ-45 or RJ-11 terminations and split up the wires into screw down terminals.

This breakout connector is ideal for adding a rain sensor or water meter to the EZFlora Irrigation Controller, or to easily connect any sensor to an input device using a standard pre-terminated patch cable (not cross-over cable).



Applications

EZFlora

The EZBreakout Connector makes connecting a rain sensor and water meter to the EZFlora very simple. Simply connect a CAT5 patch cable to the RJ-45 input on the EZFlora and the other end into the EZBreakout Connector, and connect your sensor and meter to the appropriate terminals!

EZIOxx

With the EZBreakout Connector, you can use regular patch cable (pre-terminated CAT5 cable with RJ-45 connectors on each end) to extend the input terminals of any EZIO device. Refer to image above. (need two for this setup)

EZIO8SA - The EZIO8SA has a 1-Wire input that accommodates a DS18B20 temperature sensor, and connects via an RJ-12 or RJ-11 connector.

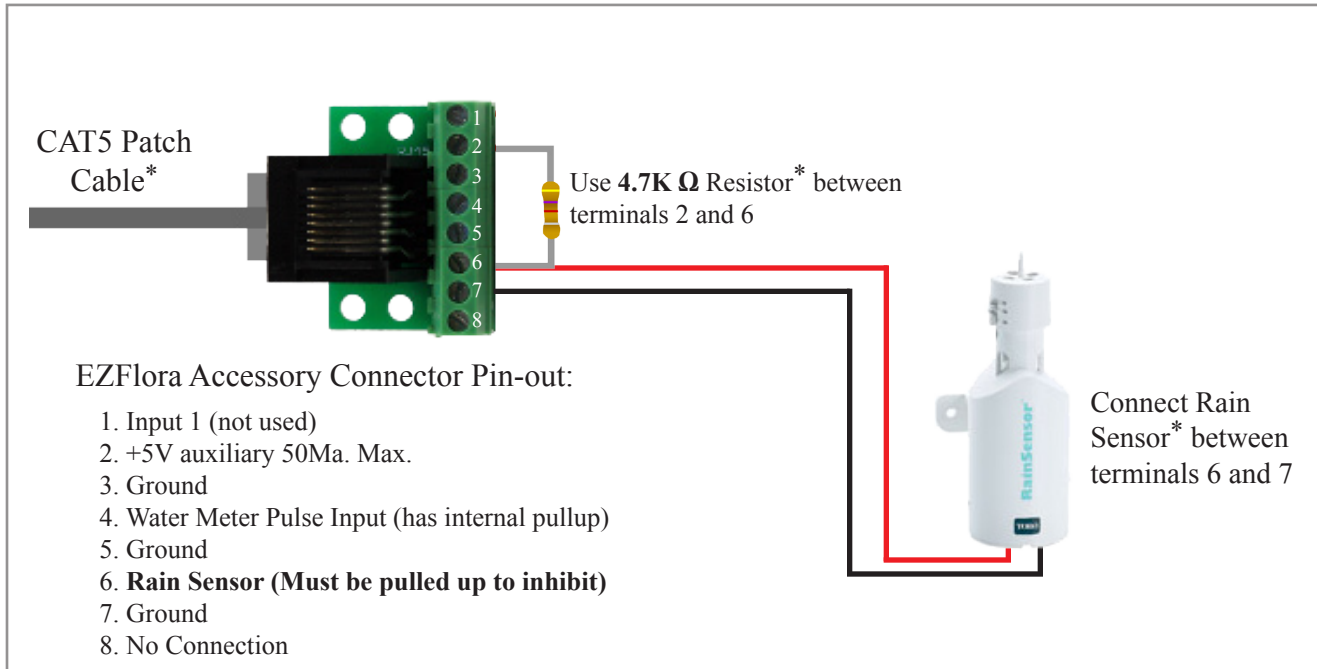
Third Party Uses

- IR Redistribution - Use the EZBreakout Connector to extend IR receivers with patch cable.
- Alarm Sensor - Use one EZBreakout Connector per zone you need to monitor and connect up to 4 alarm contacts.

Use your imagination and tell us how you used the EZBreakout Connector!!

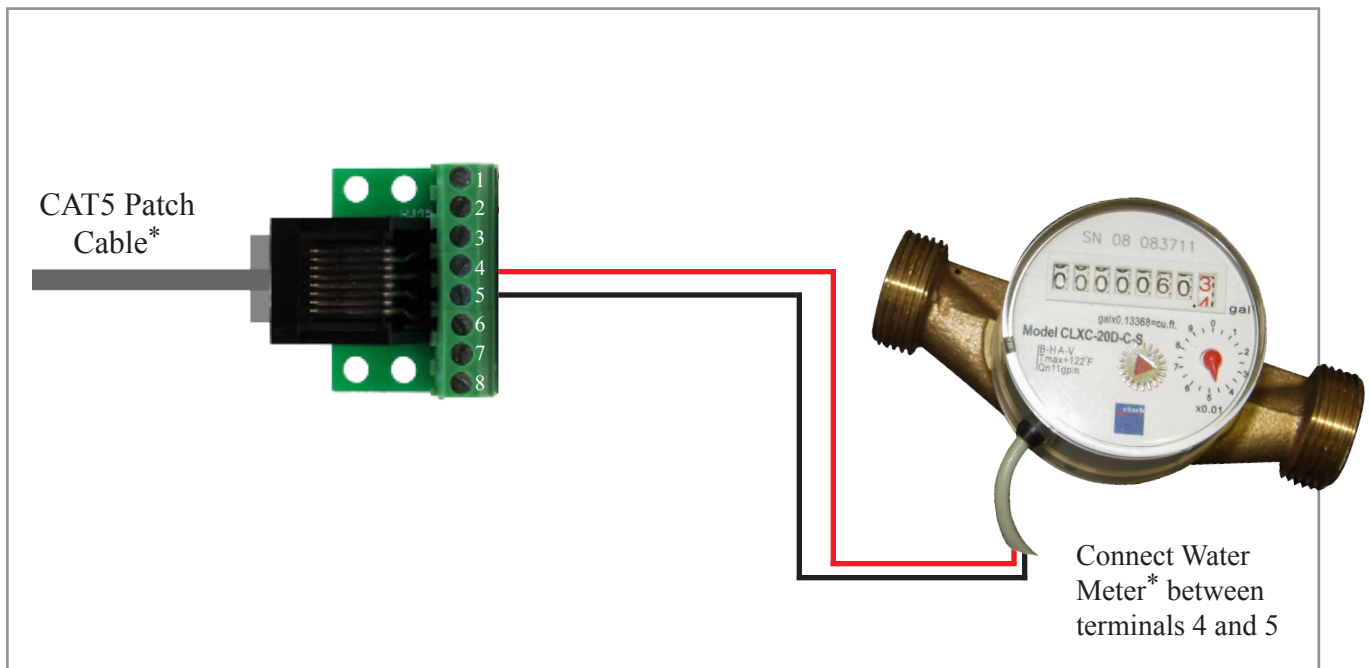


Rain Sensor Connection to your EZFlora



Note: The rain sensor will inhibit operation of the EZFlora before any irrigation programs have started only

Water Meter Connection to your EZFlora



Note: The EZFlora can interface with the pulsing water meter and a rain sensor at the same time.

* These items are sold separately